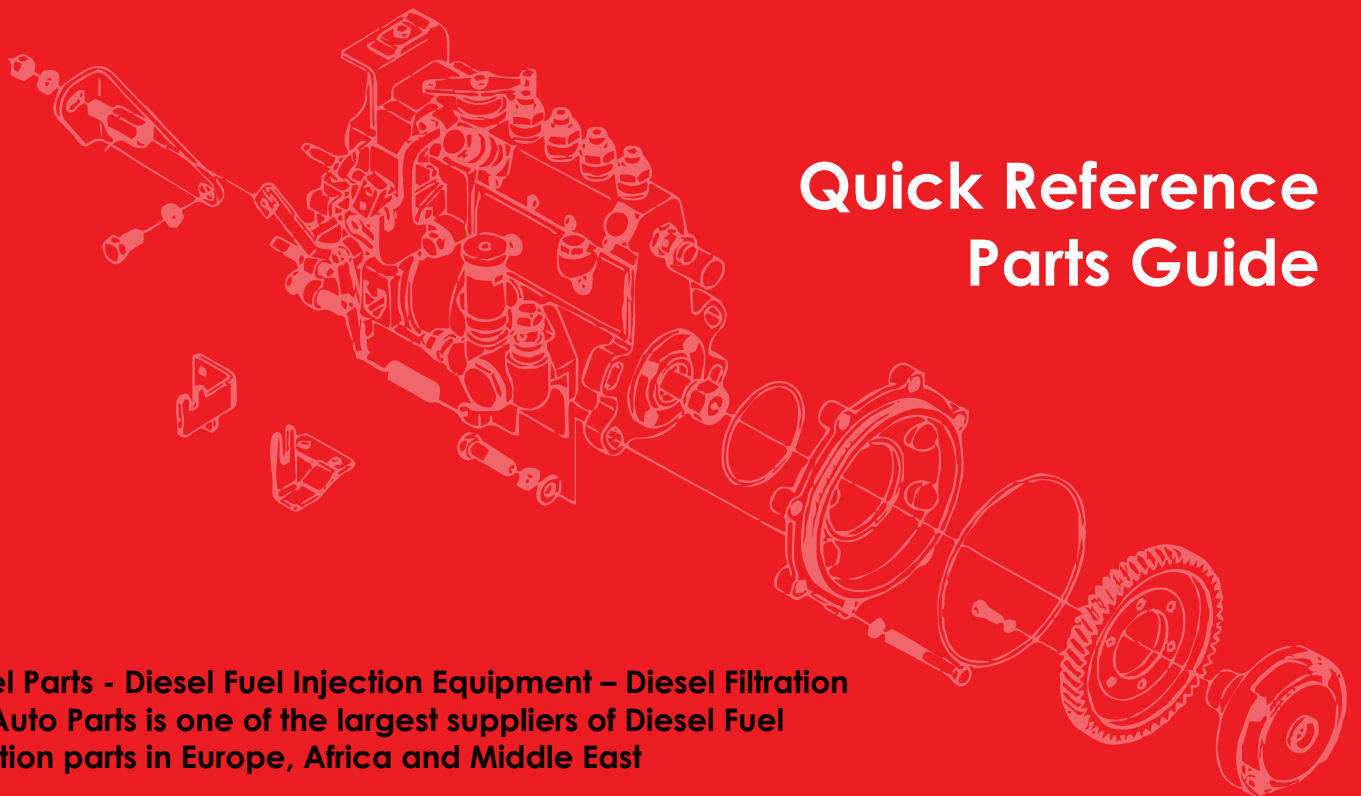




The Fuel Injection System
Houses The Most Complex
Components In Your
Diesel Engine

Get Your Equipment Up
And Running Quickly
And Dependably



Quick Reference Parts Guide

Diesel Parts - Diesel Fuel Injection Equipment – Diesel Filtration
B&J Auto Parts is one of the largest suppliers of Diesel Fuel
Injection parts in Europe, Africa and Middle East

About us

B&J Auto Parts which is headquartered in Romania, is a family business that was founded in 1993 and has active offices in Bucharest - Romania and Dubai - UAE.

Our field of activity includes diesel engine parts particularly Diesel Engine Injection Pumps and Components.

We are one of the largest supplier of Diesel Fuel Injection Spear Parts in Europe, Africa and Middle East and we are continuously looking to enhance our distribution footprint globally by means of new partnerships.

B&J Auto Parts currently represents many of the world's leading manufacturers of Injection Pumps And Components, Customers can be confident that components supplied by **B&J Auto Parts** meet, and in many cases exceed, O.E. specifications.

We have traded uninterrupted with some of our suppliers for over 20 years, and are constantly seeking manufacturers globally that produce quality Diesel Injection Pumps and Components with high quality level.

We believe the fuel injection system on a diesel is home to the most complex components in your diesel engine. Improper parts, maintenance and care of your fuel injection system can cause complete failure!

Here in the **B&J Auto Parts** we offer more than parts, we offer our deep knowledge base and expertise to help get your diesel back up and running at optimum efficiency.

Our fully experienced sales team will offer you a prompt and efficient service at all times. This is further enhanced with our technical expertise, invaluable when trying to source those hard to find parts.

If you are a manufacturer or a main dealer of diesel fuel injection systems contact us today and let us have the opportunity to show what our highly trained team can do for you.



B&J Team

We offer

B&J Auto Parts, offers a large range of fuel injection equipment and spare parts for them, destined for diesel engine, such as:

- Distributor fuel injection pumps, DPA type
- Distributor fuel injection pumps to replace VA type
- In-line fuel injection equipment, A size
- In-line fuel injection equipment, P size
- In-line fuel injection equipment, ZW size

B&J Auto Parts, offers the spare parts for diesel fuel injection systems manufactured by the European suppliers, such as:

- Hydraulic heads DPA type - Lucas Cav
- Hydraulic heads DPS / DP200 / DP210 type - Lucas Cav
- Hydraulic heads VE - Bosch types
- Components for common rail CP1 Bosch pumps
- Pumping elements and delivery valves (Mefin, Hidrojet, Ifa, Tatra, Volvo, Suhl, Bosch, etc.)
- Fuel feed pumps with piston
- Fuel feed system components (priming pumps, nylon filters and sedimentor bowls)
- Other parts for engines and vehicles.

Main Products & Applications

■ Automotive

Vans, passenger cars, light and heavy trucks, buses, utility and off-road vehicles;

■ Agricultural & construction

Tractors, combines, cranes, bulldozers, and concrete mixers;

■ Light industrial & others

Forklift trucks, generator sets, oil drilling equipment, irrigation pumps;

■ Railway, marine & defense

Locomotives, ships, tanks, special vehicles.

The **DPA pumps** is part of the first modern generation of diesel fuel injection systems. The DPA pump is highly reliable and durable, as well as efficient and economical. Reaching a fuel injection pressure of up to 600 bar, it is used primarily in agricultural, industrial and marine areas. The main applications include Massey Ferguson, Fiat, Ford, New Holland, John Deere, Cummins, Balkancar, UTB, Aro, Hart, IMR, Bedford, Bomag, Caterpillar, Claas, Hanomag, Kubota, Land Rover and many others.

DPS is the next generation of pumps which followed the DPA, and has a higher level of performance, reaching a pressure up to 700 bar while meeting Euro I emission standards. The products from this range increased fuel economy and smoother engine running, and in addition to traditional off-road applications are also used on passenger vehicles, primarily buses and vans. The main applications include Fiat, Ford, Komatsu, Cummins, New Holland, Iveco, Volvo, VW, Manitou, Maxion, Fuchs and many others.

DP200/210 pumps achieve a higher level of performance than DPS and comply with more stringent emission regulations, up to Euro II. Reaching an injection pressure of more than 700 bar, DP200/210 pumps are used in road, industrial and agricultural segments of newer generations. The main applications include Ford, Iveco, Fiat, New Holland, John Deere, Manitou, JCB, Caterpillar and many others.

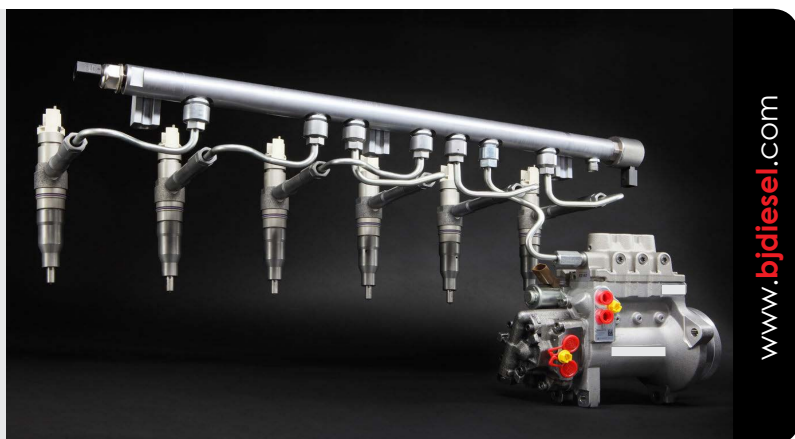
The **In-Line pump** is part of the first modern generation of diesel injection systems used on large multi-cylinder

Engines (trucks, construction equipment, static engines and agricultural vehicles). There are four types of different sizes: A, P, MB and ZW, reaching an injection pressure up to 1,300 bar. The main applications include Fiat, Cummins, International Harvester, Mercedes-Benz, Styer, MAN, Sulzer, Alco, Saviem, Raba, Maybach, UTB, MAT, Faur and many others.

VE rotary pumps were developed subsequent to the VA rotary pump, and are used in road vehicle segments such as cars, light trucks and vans, more often than on tractors, excavators and other industrial vehicles. VE pumps reach an injection pressure up to 1,400 bar and Euro II emissions standards. The main applications include Peugeot, Mercedes-Benz, Iveco, Ford, Alfa Romeo, Audi, BMW, Citroen, Fiat, Cummins, Hanomag, MAN, Nissan, Opel, Renault, Seat, Toyota, Saviem, Volvo, VW, KHD, Maxion, Dodge, Daihatsu and many others.

The electronically - controlled **CP1 Common Rail** represents the first of the newest generation of diesel fuel injection systems used in passenger cars and road vehicles complying with Euro IV emission standards. This system's finely-machined components are exposed to very high temperatures and pressure up to 1,800 bar (almost 3x more than the DPA generation). CP1 Common Rail and related spare parts have already found numerous applications on Mercedes-Benz (Sprinter), Fiat (Ducato), Peugeot (Partner), Citroen (Jumper), Renault (Master), Iveco (Daily), Hyundai (Terracan), Land Rover (Rover 75) and many others.

Helping Commercial And Consumer Diesel Owners Get Their **Equipment Up And Running Quickly And Dependably** Is Our Main Goal.



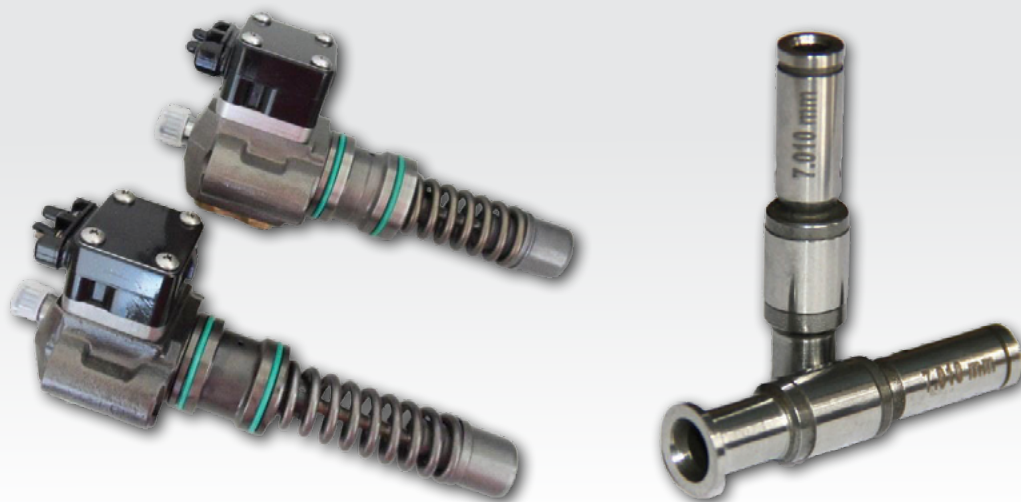
Contents

■ Piston Valve for Bosch Unit Pumps & Injectors	06
■ Piston Valve for Bosch Common Rail Injector	07
■ Control Valves for Delphi Common Rail Injectors	08
■ DPA Fuel Injection Pumps	10
■ IN-LINE & DPA Fuel Injection Pumps	13
■ New for 2014 – DPA / DPS / DP200 / DP210	14
■ DPA / DPS / DP200 / DP210 HEADS & ROTORS	15
■ DPA / DPS / DP200 / DP210 Spare Parts	16
■ Common Rail CP1	17
■ VA Fuel Injection Pumps	18
■ VE Heads & Rotors	19
■ Plungers & Barrels	20
■ Delivery Valves	22
■ Feed Pumps	23
■ Nozzles	23

We Have Thousands Of Products Available. So If You Are Not Able To Find The Parts You Are Looking For Just Call Us Or Visit Our Site www.bjdiesel.com
We Are Here To Help!

Piston Valve for Bosch Unit Pumps & Injectors

UNIT PUMP P/N	TYPE	APPLICATION	OEM NUMBER
0 414 799 001	Unit Pump System PLD Bosch PLD1D110 / 520 / 24S180	MERCEDES BENZ	MB 3305 / MB 2982 / MB 3108
0 414 799 002	Unit Pump System PLD Bosch PLD1C100 / 440 / 24S140	FREIGHTLINER / MERCEDES BENZ	FRL 36 - UNIMOG U 500A
0 414 799 003	Unit Pump System PLD Bosch PLD1C100 / 440 / 24S140	MERCEDES BENZ	MB 3152 - 1215 C / MB 4178- 1318 / MB 4179 - 1718 / MB 3673 - L1418
0 414 799 004	Unit Pump System PLD Bosch PLD1C100 / 440 / 24S140	MERCEDES BENZ	028 74 60 02 / A 028 74 60 02
0 414 799 005	Unit Pump System PLD Bosch PLD1D110 / 520 / 24S180	IRANKHODRO / KASSBOHRER / MERCEDES BENZ	IRD 2 - C 457 INTERCITY / IRD 1 - C 457 CITYBUS / KAS 232 - S 313 UL / KAS 233 - S 315 H / KAS 231 - S 315 NF / KAS 239 - S 315 UL / ACTROS / AXOR
0 414 799 006	Unit Pump System PLD Bosch PLD1C100 / 440 / 24S140	MERCEDES BENZ	028 074 63 02
0 414 799 007	Unit Pump System PLD Bosch PLD1C100 / 440 / 24S140	MERCEDES BENZ	028 074 61 02
0 414 799 008	Unit Pump System PLD Bosch PLD1C100 / 440 / 24S140	FREIGHTLINER / MERCEDES BENZ	FRL 36 - UNIMOG U 500A
0 414 799 009	Unit Pump System PLD Bosch PLD1D110 / 520 / 24S180	MERCEDES BENZ	MTU 005 070 62 01
0 414 799 010	Unit Pump System PLD Bosch PLD1D110 / 520 / 24S180	MERCEDES BENZ	MTU 005 070 62 01
0 414 799 012	Unit Pump System PLD Bosch PLD1C100 / 440 / 24S140	MERCEDES BENZ	AXOR / MB INTEGRO / MB TOURINO OC 500 / MB UNIMOG U 4000/5000
0 414 799 013	Unit Pump System PLD Bosch PLD1C100 / 440 / 24S160	MERCEDES BENZ	AXOR / INTOURO / TOURINO / 028 74 60 02 MERCEDES / A028 74 60 02
0 414 799 014	Unit Pump System PLD Bosch PLD1C100 / 440 / 24S140	MERCEDES BENZ	ATEGO / AXOR / CITARO
0 414 755 005	Unit Pump System PLD Bosch PLD 1B100 / 520 / 24S180	DAF	95 XF 480 / 137 91 10 / 139 20 52
0 414 755 008	Unit Pump System PLD Bosch PLD 1B100 / 520 / 24S160	DAF	CF 85.340 / CF 85.380 / CF 85.430
0 414 755 003	Unit Pump System PLD Bosch PLD 1B100 / 520 / 12S180	MACK	E7 DE / 313 GC 5227 M



Piston Valve for Bosch Common Rail Injector

INJECTOR P/N	APPLICATION	MODEL	TYPE
0 445 120 011	FIAT	DUCATO	2.3 JTD
-	IVECO	DAILY	29 L 10 / L12 / L14 / 35 C 10 / C12 / 35 S 10 / 12 / 14
0 445 110 070	MERCEDES	SPRINTER CDI	208 / 211 / 213 / 216 / 308 / 311 / 313 / 316 / 408 / 411 / 413 / 416 / 616
0 445 120 007	AGRALE - DEUTZ	CHASSIS	12.0 ELECTRONIC
0 445 120 007	FORD	CARGO / F250	C 1317 / 1517 / 1717 / 1722 / 2422 / 2428 / 2622 / 2628 / 815 E Electronic
0 445 120 007	IVECO	DAILY	100 E 17 / 18 / 21 / 120 E17 / 18 / 21 / 24 / 28 / 130 E18 / 21 / 24 / 28 / 140 E / 18 / 24 / 150 E 18 / 21 / 24 / 28 / 17 E22 / 180 E21 / 24 / 28 / 320 E28 / 65 E13 / 15 / 75E 13 / 15 / 17 / 18 / 80 E15 / 17 / 18 / 21 / 90 E17 / 18 / 21
0 445 120 007	NEW HOLLAND	NEH 85	T7060
0 445 120 007	PAZ PAVLOVO	PAB 6	3237
0 445 120 007	VOLKSWAGEN	VW	13.170 / 15.170 / 15.190 / 17.250 / 23.250 / 8.150 / 9.150 E Electronic / 8.150 / 9.150 EOD Electronic / Constellation 17.250 / 24.250
0 445 110 190	JEEP	GRAND CHEROKEE	2.7 CRD
0 445 110 190	MERCEDES	SPRINTER CDI	208 / 211 / 213 / 216 / 308 / 311 / 313 / 316 / 408 / 411 / 413 / 416 / 616 / 715
0 445 110 141	NISSAN	INTERSTAR	2.5 Diesel
0 445 110 141	OPEL	MOVANO	2.5 DTI
0 445 110 141	RENAULT	MASTER	2.5 dCi 100 / 110 / 120 / 16 V
0 445 110 141	VAUXHALL	MOVANO	2.5 DTI



Control Valves for Delphi Common Rail Injectors

9308-618C

INJECTOR P/N	APPLICATION	MODEL
HCR100	FORD	LYNX
R00001Z	FORD	MONDEO
R00101Z	FORD	MONDEO
R00201Z	FORD	FOCUS, MONDEO
R00202Z	FORD	FOCUS, MONDEO
R00301Z	FORD	MONDEO
R00401Z	FORD	MONDEO, TRANSIT
R00402Z	FORD	MONDEO
R00403Z	FORD	TRANSIT
R00501Z	FORD	MONDEO
R00501Z	JAGUAR	X-TYPE
R00502Z	FORD	MONDEO
R00601D	FORD	MONDEO
R00901Z	KIA	BONGO, FRONTIER, PREGIO, SEDONA
R00901Z	HYUNDAI	TERRACAN
R01001A	SUZUKI	LIANA
R01001Z	CITROEN	C3
R01201Z	RENAULT	CLIO, MEGANE, PREGIO, SEDONA
R01201Z	SUZUKI	JIMNY
R01201Z	DACIA	LOGAN
R01201Z	NISSAN	MICRA
R01302Z	FORD	FOCUS
R01401Z	RENAULT	CLIO, KANGOO, MEGANE, MODUS
R01401Z	SUZUKI	JIMNY
R01401Z	DACIA	LOGAN
R01401Z	NISSAN	MICRA
R0160Z1	FORD	FOCUS
R01701Z	RENAULT	THALIA
R01801A	NISSAN	ALMERA
R01801A	RENAULT	CLIO, GRAND SCENIC, KANGOO, MODUS, MEGANE
R01801A	NISSAN	KUBISTAR
R01801Z	RENAULT	CLIO
R02101Z	RENAULT	CLIO, KANGOO, THALIA
R02101Z	NISSAN	KUBISTAR
R02201Z	FORD	TRANSIT CONNECT, FOCUS
R02601Z	SSANGYONG	KYRON, REXTON, RODIUS
R02801D	KIA	CARNIVAL, SEDONA
R02901D	HYUNDAI	TERRACAN
R03001D	KIA	BONGO, FRONTIER, PREGIO
R03101D	RENAULT	CLIO, KANGOO, MEGANE, THALIA
R03101D	SUZUKI	JIMNY
R03101D	DACIA	LOGAN
R03401D	SSANGYONG	KYRON



Control Valves for Delphi Common Rail Injectors

9308-621C

INJECTOR P/N	APPLICATION	MODEL
HCR100	FORD	LYNX
R00001Z	FORD	TRANSIT
R00101Z	FORD	TRANSIT,MONDEO
R00201Z	FORD	TRANSIT
R00202Z	FORD	TRANSIT,MONDEO
R00301Z	FORD	TRANSIT,MONDEO
R00401Z	FORD	TRANSIT
R00402Z	FORD	TRANSIT,MONDEO
R00403Z	FORD	TRANSIT
R00501Z	FORD	TRANSIT
R00502Z	FORD	TRANSIT,MONDEO
R00601D	FORD	TRANSIT,MONDEO
R00901Z	KIA	BONGO,FRONTIER
R00901Z	HYUNDAI	TERRACAN
R01001A	CITROEN	C3
R01001A	SUZUKI	LIANA
R01001A	PEUGEOT	107
R01001D	FORD	PUMA
R01001Z	CITROEN	C3
R01101D	FORD	TRANSIT
R01201Z	RENAULT	CLIO
R01201Z	SUZUKI	JIMNY
R01201Z	DACIA	LOGAN
R01201Z	NISSAN	MICRA
R01302Z	FORD	FOCUS
R01401Z	RENAULT	CLIO
R01401Z	SUZUKI	JIMNY
R01401Z	DACIA	LOGAN
R01401Z	NISSAN	MICRA
R01601Z	FORD	FOCUS
R01701Z	RENAULT	CLIO
R01801A	NISSAN	ALMERA
R01801A	RENAULT	CLIO,MEGANE
R01801Z	NISSAN	ALMERA
R01801Z	RENAULT	CLIO,KANGOO
R02101Z	RENAULT	CLIO,KANGOO
R02101Z	NISSAN	KUBISTAR
R02201Z	FORD	CONNECT
R02401Z	HYUNDAI	TERRACAN
R02401Z	MERCEDES-BENZ	SPRINTER
R02601Z	SSANG YONG	KYRON
R02801D	KIA	CARNIVAL,SEDONA
R02901D	HYUNDAI	TERRACAN

INJECTOR P/N	APPLICATION	MODEL
R03001D	KIA	BONGO
R03101D	RENAULT	CLIO
R03101D	SUZUKI	JIMNY
R03101D	RENAULT	KANGOO
R03101D	DACIA	LOGAN
R03401D	SSANG YONG	KYRON
R03701D	KIA	CARNIVAL,SEDONA
R04101D	RENAULT	CLIO
R04101D	DACIA	LOGAN
R04101D	NISSAN	MICRA
R04601D	SSANG YONG	REXTON
R04701D	SSANG YONG	KYRON
R05101D	DACIA	LOGAN
R05101D	RENAULT	TWINGO
R05102D	DACIA	LOGAN

9308-618B

INJECTOR P/N	APPLICATION	MODEL
R00201Z	FORD	FOCUS,MONDEO,TRANSIT
R00202Z	FORD	FOCUS
R00202Z	FORD	MONDEO
R00504Z	FORD	FOCUS,MONDEO,TRANSIT
R00504Z	JAGUAR	X-TYPE
R01001Z	CITROEN	C3
R01801Z	NISSAN	ALMERA,MICRA
R01801Z	RENAULT	CLIO,KANGOO,MEGANE,- MODUS,SCENIA,SM3,THALIA
R02701Z	RENAULT	KANGOO,MODUS

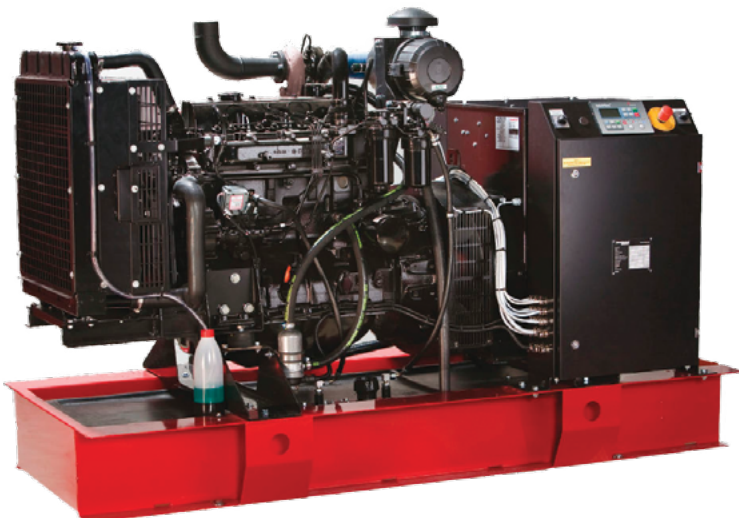
9308-622B

INJECTOR P/N	APPLICATION	MODEL
R00701D	FORD	PUMA
R00701D	JAGUAR	X-TYPE
R00801D	FORD	MONDEO
R03301D	FORD	TRANSIT
R04901D	TATA	SAFARI



DPA Fuel Injection Pumps

DELPHI / MEFIN P/N	ENGINE	APPLICATION
3222F010	FIAT 8025.01/ D111.001	UNIVERSAL TRACTOR U260 / U260DT
3222F040	FIAT 8025.02.300	UNIVERSAL TRACTOR U302 DTC / U320 DT, SOMECA 300
3222F050	FIAT 8025.02.301	UNIVERSAL TRACTOR U320 / U320DT
3230F030	PERKINS A 3.152	MASSEY FERGUSON 35 / 150 / 155
3230F070	PERKINS AD 3.152	MOTOR IBERICA D 3.152 / HOLMAN D 1.152
3230F180	PERKINS AD 3.152	MASSEY FERGUSON 135 / 135 UK / 150 / 302 / 304
3230F563T	PERKINS 3.152 / T2.318	PERKINS GENERATOR T2318, PERKINS ELETROPAK 3.1524
3233F261	PERKINS D3.152	BARBER GREENE 873, JCB 1CX / 406, SHILTER-UT5000
3233F270	FIAT 853	FIAT 355 / 355M / 400
3233F330	FIAT 8035.02.353	FIAT-ALLIS FL-4C / FL-4D
3233F350 / 351	PERKINS D 3.152	SIMPLEX MECHANICA HANDLI DIESEL 2.5-5 TON
3233F380	FORD 175	NEW HOLLAND 3000, FORD 3000
3233F390	FORD 201	BONSER ENGINEERING RT 2500K, HY-MAC 270, NEW HOLLAND 4000
3233F410	FIAT 8035.02.300	FIAT-ALLIS FL-4D / FL-4C, TURK TRAKTOR, WHITE
3233F420	FIAT 8035.02.302	NEW HOLLAND 500, SOMECA 500E / TD
3233F421 / 423	FIAT 8035.02.300	FIAT 540
3233F430	FIAT 8035.02.350	FIAT-ALLIS OM DM12 / OM DM15
3233F600	FIAT 8035.02.353	FIAT-ALLIS OM D11220 / OM D11225, SANDERSON SB 40, SB 45
3233F661	FORD 7A	NEW HOLLAND 231 / 233 / 2000 / 2310 / 2600 / 2610
3233F710	FIAT 8035.02.355	FIAT FORKLIFTS
3233F750	FIAT 8035.02.04	FIAT FORKLIFTS
3238F960	FIAT 8035.01.306	UNIVERSAL TRACTOR U445
3240F938	PERKINS 4.203	MASSEY FERGUSON 30 / 40 / 50 / 165 / 255 / 300
3241F102	PERKINS 4.248	MASSEY FERGUSON 1630 / 1830
3241F260 / 261	FIAT 8045.05	FIAT 650
3241F350	PERKINS D.4.236	MASSEY FERGUSON 50 / 168 / 184 / 265 / 275 / 670 / 675 / 7500, JCB-3CX / 25B / 520, IMT 4 CYL 52 KW, SCHAEFF HLM 50,HR 30SKL
3241F360	PERKINS 4.236	MASSEY FERGUSON 31 / 50 / 175 / 180 / 255 / 265 / 275 / 575 / 5000 / 6000 / 6500
3241F490	PERKINS A 4.236	MASSEY FERGUSON 750



DPA Fuel Injection Pumps

DELPHI / MEFIN P/N	ENGINE	APPLICATION
3248F391	PERKINS 4.236 / A4.236	JOHNSTON BROS ROAD SWEEPERS
3248F451	PERKINS 4.236	ASEA GMD 32, ATLAS COPCO, HYSTER, CTAD, CTFD, IT 50 / 60, CLARKTOR 20 / 30 / 40 / 50
3248F741	PERKINS 4.203	IMT 558
3249F060	FIAT 854	OLIVER 1355, UNIVERSAL TRACTOR U550 / U550DT
3249F470	FIAT 8045	WHITE 2-60
3249F650	FIAT 8045	FIAT 640, WHITE 2-60, BROOMWADE CV125 / CV125S / CV125SS / CV160 / CV160S / CV160SS
3249F700	PERKINS 4.236	JOHN DEERE, LANCER BOSS 500
3249F771	FORD 7A	NEW HOLLAND 5000 (TURKEY), FORD 5000
3249F951	FORD 7A	NEW HOLLAND 6600
3263F670C	PERKINS 6.354	MASSEY FERGUSON 1100
3268F840	SAVIEM 797 05	ROMAN 11.133H / 12.133F
3342F220	FIAT 8040	OTOYOL 35 NC / 50 NC, FIAT 35 NC / 50 NC
3342F221	FIAT 8040	OTOYOL 35 NC / 50 NC, FIAT 35 NC / 50 NC
3342F411	PERKINS A 4.318	MASSEY FERGUSON 195 TA
3342F500	FIAT 8045.02.358	FIAT FORKLIFTS
3343F761 / 763	FIAT 8045.06 DERATE	FIAT AGRI 50-60 DT, FIAT 640
3348F100	PERKINS 4.236	ENASA-CONVEYOR, JETWAY-BAGGAGETOW
3348F110	PERKINS 4.236	BALKANCAR RECORD 2, HYSTER C340 / C350, MARSHALL 75, SCHAEFF SKL 861
3348F230	PERKINS AT 4.236	MASSEY FERGUSON 398 / 3070
3362F850	FIAT 8065.24	HESSTON 1380DT
3832F040	D2900K / PERKINS 4.236	DIMEX D 25, BETA 1620.1 / 1620.2
3832F240	D3900K / PERKINS 4.236	DIMEX D 25, BETA 1620.1 / 1620.2
3832F245	D3900K / PERKINS 4.236	DIMEX D 25, BETA 1620.1 / 1620.2
3841F260	D3900G / PERKINS 4.236	BALKANCAR RECORD 2M DV
3842F020	D3900K / PERKINS 4.236	DIMEX D35 / D40, BETA 2040 / 2044.1 / 2044.2, RECORD 2M DV
3842F225	D3900K / PERKINS 4.236	DIMEX D35 / D40, BETA 2040 / 2044.1 / 2044.2, RECORD 2M DV
3842F295	D3900T / PERKINS 4.236	BALKANCAR RECORD 2M DV
3842F420	D3900K / PERKINS 4.236	BALKANCAR RECORD 2M DV
3842F425	D3900K / PERKINS 4.236	BALKANCAR RECORD 2M DV



DPA Fuel Injection Pumps

INJECTION PUMP	ENGINE	TRACTOR
DELPHI / MEFIN P/N	FORD	FORD NEW HOLLAND
3233F390	BSD333	4000
3233F391	BSD329	4000
3233F380	BSD332	3000
3233F661	BSD326	231 / 233 / 2000 / 2310 / 2600 / 2610
3249F771	BSD442	5000
3249F951	BSD442	6600, 6700

INJECTION PUMP	ENGINE	TRACTOR
DELPHI / MEFIN P/N	PERKINS	MASSEY FERGUSON
3230F030	A3.152	35 / 150 / 155
3230F070	AD3.152	135 / 185 / 245 / 285
3230F180	AD3.152	135 / 135 UK / 150 / 302 / 304
3240F938	AD4.203	30 / 40 / 50 / 165 / 255 / 300
3241F102	A4.248	1630 / 1830
3241F350	A4.236	50 / 168 / 184 / 265 / 275 / 565 / 670
3241F360	A4.236	175 / 180 / 275 / 575 / 6500
3241F490	A4.236	750
3263F670C	A6.354	1100
3342F411	A4.318, A4.318.2	195TA
3348F230	AT4.236	3070, 398



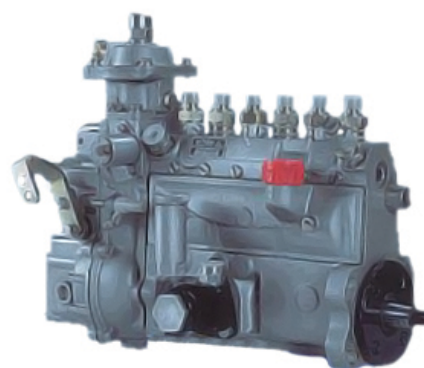
IN-LINE & DPA Fuel Injection Pumps

INJECTION PUMP	ENGINE	TRACTOR
DELPHI / MEFIN P/N	FIAT	UTB
3822F011, 3822F019	D111.001, D111.057, 8025.02.300, 8025.02.304	U 260, U 260 DT, U 300, U 300 DT, U 302 DTC-IF, U 320, U 320 DT
3832F051, 3832F059	D124	U 350, 353, U 445, U 445 DT, U 445 DTC, U 530, U 530 DT
3842F061, 3842F069	2.404.050	U 533, U 533 DT, U 640, U 640 DT, U 643, U 643 DT

INJECTION PUMP	ENGINE	TRACTOR
DELPHI / MEFIN P/N	UTB	UTB
3862F030	2.601.000	U 850, U 850 DT
3862F139	2.601.073	U 1010, U 1010 DT

INJECTION PUMP	ENGINE	TRACTOR
BOSCH/MEFIN P/N	UTB	UTB
0 800 474 011	D110	U 650, U 651 M
0 800 474 033	2.404.000	U 700, U 700 DTC
0 800 474 035	2.404.060	U 703 P, U 703 DT
0 800 474 032	2.404.062	U 833, U 833 DT
0 800 876 053	2.601.010	U 850, U 850 DT
0 800 474 034	2.402.001	U 860, U 860 DT, U 1010, U 1010 DT, U 1033,
0 800 474 054	2.601.060	U 1033 DT

INJECTION PUMP	ENGINE	TRACTOR
DELPHI / MEFIN P/N	FIAT	FIAT
3222F040	8025.02.300	300
3222F050	8025.02.301	350
3233F270	853	450, U400
3233F330	8035	450, U400
3233F410	8035.02.300, 8035.02.355	450, 480, DIM 20/25, DM 20/25
3233F420	8035.02.302	500
3233F430	8035.02.350	DI12, DM12, DM15, DM 12/5
3233F600	8035	450, U400
3233F710	8035.02.355	DIM 20/25, DM 20/25
3233F750	8035.02.04	550 DT
3249F060	854	600 DT, D 112
3249F650	8045	600 DT, D 112
3249F470	8045	D 112
3342F220	8040	various models
3342F221	8040	various models
3362F850	8065.24.120	various models



New for 2014 – DPA / DPS / DP200 / DP210

PUMP TYPE	DELPHI / MEFIN P/N	ENGINE	APPLICATION
DPA	7180 633K	PERKINS 6.354.4	MASSEY FERGUSON 399DT / 1014
DPA	7180 647U	MAXION 4000 / P4001	FORD F4000
DPA	7180 655L	LEYLAND	LEYLAND L11
DPA	7180 667W	PERKINS 4.236 / C4.236	MASSEY FERGUSON 174 / 184 / 284
DPA	7180 728L	CUMMINS 4BT 3.9M	CUMMINS MARINE 4B
DPA	7180 819U	PERKINS 4.41 / VISTA A / 1004-4 GR / 4.40 GR	LINCOLN GENSET
DPA	7180 861U	PERKINS 4.41 / 4.46	MASSEY FERGUSON 4235
DPA	7185 023L	CUMMINS 4BT 3.9M	JOHN DEERE 6.359TL / 3055, MWM-DIESEL D229-6
DPA	7185 114L	PERKINS Q 20.6.60 VHTR	MASSEY FERGUSON 6160 / 6170 / 6180 / 6190
DPA	7185 905L	CNH TS120 / 8010 TRACTOR	NEW HOLLAND
DPA	9050 198K	PERKINS 6PF305	FORD F350
DPA	9050 222K	PERKINS T6354.4E	ARBOS, BRAUD 700, CLAAS DOMINATOR 66, HANOMAG 450E, LANDINI 10000, MASSEY FERGUSON 1134 / 450E
DPA	9050 297T	PERKINS 6.3544	MASSEY FERGUSON 1014
DPS	7183 128K	FIAT 8045.05 / 06 / 06.320, FIAT ALLIS / HITACHI / AIFO 8041.1.05	IVECO, NEW HOLLAND, HESSTON, FIAT
DPS	7183 129K	FIAT TRACTOR 8045.05	FIAT 238, FIATAGRI 80-90DT, IVECO, NEW HOLLAND 80.76, FIAT HITACHI
DPS	7183 156L	PERKINS T6.60 GR / 1006-6T4	MASSEY FERGUSON 3125 / 3635 / 3645 / 3655
DPS	7183 165L	PERKINS T4.40 GR / 1004.4	F.A.I. PANDA, METALGALATE, TENANT JCB, MANITOU, MATBRO, SAMBRON, BENATI POWERPAC, SCHAEFF
DPS	7183 179L	LAND ROVER 2.5 NA	LEYLAND, LAND ROVER 90 CSW, CUMMINS, SANTANA
DPS	7185 044L	FORD TRACTOR	NEW HOLLAND 256 CID / 5610
DP200	7185 196L	FORD 7840 AG / 8240 AG	NEW HOLLAND, IVECO TC 56, FORD
DP200	7185 917L	PERKINS DARWIN 6T LP11	KOMATSU 1006.6TW
DP200	7185 918L	PERKINS DARWIN LP 47	MANITOU
DP210	7189 039L	PERKINS 1104C - 44T	MANITOU (MT 1030S & MT 1033HLT)



DPA / DPS / DP200 / DP210 HEADS & ROTORS

HEADS & ROTORS

7123-340E	7139-764U	7180-578R	7180-795U
7123-340F	7167-326J	7180-593M	7180-798U
7123-340G	7167-334M	7180-593N	7180-819U
7123-340J	7167-334S	7180-593P	7180-861U
7123-340K	7167-334T	7180-593Q	7180-93U
7123-340L	7167-334U	7180-611W	7182-467K
7123-340M	7167-349S	7180-616J	7182-709K
7123-340R	7167-807S	7180-616S	7182-898L
7123-340S	7167-842T	7180-616T	7182-879ZL
7123-340T	7180-139T	7180-616U	7182-902K
7123-340U	7180-168L	7180-621X	7182-128K
7123-340W	7180-19G	7180-641S	7183-129K
7123-345M	7180-19R	7180-645L	7183-136K
7123-345N	7180-19S	7180-647U	7183-156L
7123-345S	7180-19U	G 7180-650S	7183-165L
7123-345T	7180-19W	7180-650T	7183-179L
7123-345U	7180-277U	7180-650U	7185-023L
7123-345W	7180-45L	7180-655L	7185-044L
7123-345X	7180-550F	7180-667W	7185-114L
7123-359G	7180-550G	7180-668G	7185-196L
7123-359M	7180-550R	7180-668R	7185-639L
7123-359R	7180-550S	7180-668S	7185-905L
7123-909T	7180-550T	7180-668U	7185-917L
7123-909U	7180-550U	7180-668W	7185-918L
7123-909V	7180-550W	7180-675W	7189-039L
7123-909X	7180-553J	7180-681M	9002-020S
7139-130T	7180-556G	7180-681N	9002-071S
7139-235C	7180-556T	7180-681R	9002-071T
7139-235M	7180-559M	7180-681W	9002-226M
7139-235N	7180-559N	7180-692T	9002-232L
7139-235Q	7180-559S	7180-629U	9003-083S
7139-235R	7180-559U	7180-633K	9003-083U
7139-235S	7180-559W	7180-698L	9003-135U
7139-360U	7180-559X	7180-698U	9045-462U
7139-422W	7180-571U	7180-718U	9050-297T
7139-709W	7180-571X	7180-722U	9050-198K
7139-764J	7180-572Y	7180-728L	
7139-764S	7180-578G	X 7180-750U	
7139-764T	7180-578M	7180-795S	



DPA / DPS / DP200 / DP210 SPARE PARTS

DRIVE SHAFTS

7123-657B	7139-42A	7139-644E	7180-136A	9094-696
7139-185G	7139-644D	7167-177	7180-136B	

LINERS

7139-223	7139-540	7139-541	7174-476	9103-009AN
----------	----------	----------	----------	------------

CAM RINGS

7123-308C	7123-309C	7139-713E	7139-940N	7167-973D
7123-308D	7123-309D	7139-763E	7139-940Q	7167-975Q
7123-308E	7123-309E	7139-841C	7139-949E	7180-28B
7123-308F	7123-309M	7139-844E	7139-949N	9003-659A
7123-308M	7123-309N	7139-844M	7139-949Q	9095-99NN
7123-308N	7123-309Q	7139-940D	7139-974D	
7123-308T	7123-309R	7139-940E	7139-A713FY	
7123-309AA	7123-309X	7139-940M	7167-287A	

METERING VALVES

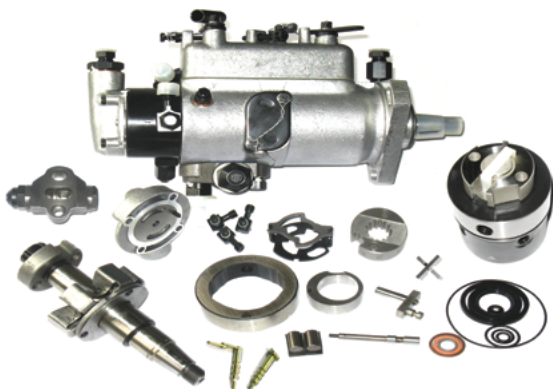
7123-299C	7123-781D	7139-559B	7182-620G	9003-027F
7123-299D	7123-930	7139-559D	7182-621E	9094-290
7123-299E	7123-930B	7139-559E	7182-621F	9095-258E
7123-299P	7123-930G	7139-559H	7182-621J	
7123-490	7139-559	7174-980A	7182-621K	
7123-490B	7139-559A	7180-321A	9002-290	
7123-490C	7139-559AF	7180-321B	9003-027E	

ROTOR TRANSFER PUMPS

7123-18	7123-18B	7123-18D	7139-41	7182-245
7123-18A	7123-18C	7123-18E		

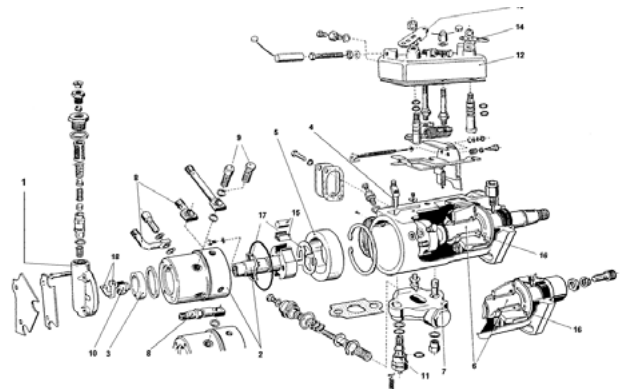
HUB DRIVES

7123-549	7123-269	7123-980
----------	----------	----------



SHOES & ROLLERS

7135-72	7135-72N
---------	----------



COMMON RAIL CP1

BOSCH P/N	APPLICATION
COMMON RAIL CP1 PUMP	
0 445 010 024	MERCEDES-BENZ

BOSCH P/N	APPLICATION
PLUNGER ASSY.	
F 00R 0P1 747	ALFA ROMEO, FIAT, LANCIA
F 00R 0P1 684	DODGE, MERCEDES-BENZ
F 01M 100 075	MERCEDES-BENZ
F 00R 0P0 925	RENAULT

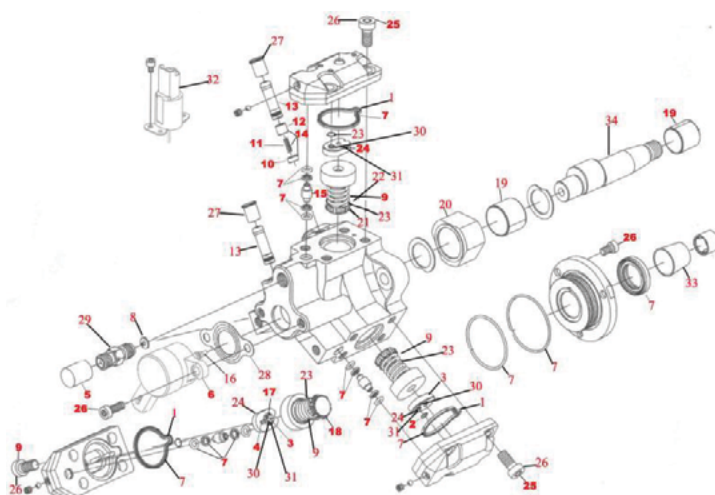
BOSCH P/N	APPLICATION
ROLLER	
F 00R 0P1 787	ALFA ROMEO, FIAT, LANCIA, BMW, LAND ROVER, CHEVROLET, PEUGEOT, CITROEN, RENAULT, MERCEDES-BENZ, SMART, HYUNDAI, KIA, VAUXHALL
F 00R 0P1 788	BMW, LAND ROVER, OPEL, MERCEDES-BENZ
F 00R 0P1 790	ALFA ROMEO, FIAT, LANCIA, BMW, LAND ROVER, CHEVROLET, PEUGEOT, CITROEN, RENAULT, MERCEDES-BENZ, SMART, HYUNDAI, OPEL, SUZUKI

BOSCH P/N	APPLICATION
ECCENTRIC SHAFT	
F 00R 0P1 114	MERCEDES-BENZ
F 00R 0P1 128	RENAULT, CITROEN, FIAT, IVECO, PEUGEOT

BOSCH P/N	APPLICATION
NOZZLE VALVE ASSY.	
F 00R 0P1 249	ALFA ROMEO, FIAT, LANCIA, MERCEDES-BENZ, PEUGEOT, SUZUKI, HYUNDAI, RENAULT, DODGE, FORD, SMART

BOSCH P/N	APPLICATION
FLANGE ASSY.	
F 00R 0P1 726	MERCEDES-BENZ, DODGE, SMART, HYUNDAI, FIAT, FORD, OPEL, SUZUKI

BOSCH P/N	APPLICATION
COVER CYLINDER HEAD ASSY.	
F 00R 0P1 739	MERCEDES-BENZ



VA FUEL INJECTION PUMPS

BOSCH P/N	APPLICATION
0 460 303 025	INTERNATIONAL HARVESTER 423 / 423Y
0 460 303 085	HANOMAG GRANIT 500E / 501E
0 460 303 096	HANOMAG
0 460 304 176	CASE INTERNATIONAL 321 / 431, IHC 321 / 431 / 8-61 / 8-71
0 460 304 197	COUACH, RENAULT, SAVIEM JK60 / JK60B / JK65 / JK75 / JN85 / S90 / SG4 / SG5C
0 460 304 249	INTERNATIONAL HARVESTER 745-AS
0 460 306 101	KLOCKNER HUMBOLT DEUTZ D10006 / D9006
0 460 306 138	MASSEY FERGUSON, HANOMAG
0 460 306 164	INTERNATIONAL HARVESTER H60B
0 460 306 177	CASE INTERNATIONAL 431, INTERNATIONAL HARVESTER 321 / 431
0 460 306 222	INTERNATIONAL HARVESTER
0 460 313 012	FIAT 450.DT / FIAT 455.M / FL4
0 460 316 041	FIAT 1180
0 460 314 023	AGRIFULL 80 / 70C, FIAT 605C / CS / 640.DT
0 460 314 027	INTERNATIONAL HARVESTER 844, CASE INTERNATIONAL
0 460 314 050	INTERNATIONAL HARVESTER
0 460 316 022	INTERNATIONAL HARVESTER 1246 / A
0 460 393 007	STEYER 540A / 540G
Stanadyne DB2-448.2	JOHN DEERE 6600



VE HEADS & ROTORS

BOSCH / DKC / DENSO P/N	APPLICATION	SECTION / PISTON DIAM / ROTATION	BOSCH / DKC / DENSO P/N	APPLICATION	SECTION / PISTON DIAM / ROTATION
1 468 334 720	IVECO 755, 1067,1068,1069, RENAULT	4/11/R	9 461 622 863	NISSAN, NISSAN DIESEL	4/11/R
1 468 334 810	MWM, VW 4.3L	4/12/R	1 468 333 323	AGRIFUL, FORD-NEW HOLLAND, NEW HOLLAND, IVECO, FIAT 8035.06.206/306	3/11/L
1 468 334 841	MAXION, FORD, CHEVROLET	4/11/R	1 468 334 920	IVECO 918, MITSUBISHI	4/11/L
1 468 334 841	CHEVROLET, MAXION, MERCEDES-BENZ, FORD, LAND ROVER	4/11/R	1 468 920 973		
1 468 334 870	DEUTZ, FORD, CUMMINS, VW LT 2.8L	4/12/R	0 960 001 330	TOYOTA	6/10/R
1 468 334 925	IVECO DAILY 2.8L/76KW, RENAULT	4/12/R	0 964 000 242	TOYOTA, DAIHATSU	4/9/R
1 468 334 946	IVECO 369,531,343,515,415,517,315, 317,426	4/11/R	0 964 001 250	MAN	4/11/R
1 468 334 959	LIEBHERR	4/11/R	0 964 001 330	TOYOTA	6/10/R
1 468 335 304	VW, AUDI, VOLVO	5/10/L	0 964 001 500		6/10/R
1 468 335 345	AUDI 90,1495, 2.0L/51KW, VOLVO, VW	5/10/L	096400-1950	TOYOTA	4/11/R
1 468 336 335	MAN	6/11/R	1 464 002 820	NISSAN	4/11/R
1 468 336 352	PERKINS AS 800/900	6/12/R	1 464 012 120		
1 468 336 352			1 464 023 820	ISUZU 2.5/2.8	4/11/L
1 468 336 626	PERKINS 2642-MAN 6.0L/116KW	6/12/L	1 464 033 120	NISSAN (9 461 615 073)	4/10/L
1 468 336 364	MAN 193,877,97,1671,976,277,866,98 3,868,985,865	6/12/R	1 464 036 820	MAZDA (9 461 616 828)	4/10/L
1 468 336 403	PERKINS 6.0L/130-155KW	6/12/R	1 464 051 920	NISSAN	6/10/R
1 468 336 418	BMW	6/10/R	1 464 060 620	KOMATSU	6/11/R
1 468 336 423	CDC, CUMMINS 5.9L/118-141KW	6/12/R	1 468 024 420	BMW 190,205	6/10/R
1 468 336 447	MAXION, MASSEY FERGUSON	6/12/L	1 468 33 323		
1 468 336 464	PERKINS-MAN 6.0L/116KW	6/12/R	1 468 334 313	ALFA-ROMEO, IVECO, LANCIA, RENAULT, UNIC, FIAT DAILY 2.5L, 53KW	4/9/R
1 468 336 468	VW LT/VOLVO 2.4L/58-77KW	6/10/L	1 468 334 337	FORD TRANZIT 2.4L/46KW	4/10/R
1 468 336 477	FIAT, IVECO, LANCIA	6/12/R	1 468 334 378	MAN, IVECO, CDC 3.9L- 72KW, CASE, CUMMINS, IH	4/12/R
1 468 336 614			1 468 334 472	PERKINS	4/11/L
1 468 336 480	CUMMINS, CASE, I.HARVESTER, CDC	6/12/R	1 468 334 580	FORD TRANZIT, 2.5L, 59 KW	4/11/R
1 468 336 503	VOLVO, VW, STEYR	6/10/L	1 468 334 580	FORD TRANSIT 100/190	4/11/R
1 468 336 467			1 468 334 592	IVECO, FIAT-FNH-NH 3.6-4.0L, 52KW	4/11/L
1 468 336 636	CUMMINS-DAF 5.9L	6/12/R	1 468 334 594	FIAT, IVECO, LANCIA	4/11/R
1 468 336 637	IVECO 930, 5.9L/81KW	6/11/R	1 468 334 595	IVECO	4/11/R
1 468 336 642	CUMMINS, FORD CARGO	6/12/R	1 468 334 603	IVECO, FIAT, LANCIA, RENAULT	4/11/R
1 468 374 016	FORD, MAXION, IVECO, PERKINS TIANJIN	4/12//R	1 468 334 603	IVECO, RENAULT, LANCIA, FIAT, ALFA ROMEO	4/11/R
1 468 374 019	YUCHAI (CHINA) 105-113 KW	4/12/R	1 468 334 604	IVECO DAILY	4/11/R
1 468 374 041	IVECO DAILY, 2.8L/76KW	4/12/R	1 468 334 604	IVECO, RENAULT	4/11/R
2 468 334 091	SEAT, AUDI, VW, SKODA 1.9l, 50-81	4/10/R	1 468 334 606	IVECO DAILY 555,557,616,605, R. MESSENGER 2.5L/85KW, I.HARVESTER, MAN	4/11/R
2 468 334 327	VW PASSAT/GOLF/JETTA, NISSAN, AUDI 1.5-1.7, 53/37KW"	4/9/R	1 468 334 625	MAXION, CHEVROLET	4/12/R
1 468 334 565			1 468 334 625	CHEVROLET	4/12/R
2 468 334 336	FIAT, IVECO, LANCIA	4/8/R	1 468 334 647	FORD, MWM-DIESEL, PUMA	4/12/R
2 468 335 044	MERCEDES SPRINTER	5/11/R	1 468 334 672	PERKINS, RENAULT, CUMMINS, FORD	4/12/R
2 468 336 013	BMW 525 TD, LAND ROVER 2.5L/85-105KW, OPEL OMEGA, VAUXAL/TDS TOURING	6/10E/R	1 468 334 672	RENAULT, PERKINS, DON-FORD 4L	4/12/R
9 461 080 419	AGRILINE 44,45	4/11/R	1 468 334 684	IVECO	4/10/R
9 461 614 375	NISSAN, NISSAN DIESEL	6/10/R			

PLUNGERS & BARRELS

BOSCH P/N	TYPE	SIZE (mm)	APPLICATION
1 418 305 505	M	5.00	MERCEDES BENZ
1 418 305 518	M	5.50	CLAAS, MERCEDES, SCHANZLIN, STEYER
1 418 305 524	M	5.00	MERCEDES BENZ
1 418 305 525	M	5.50	MERCEDES BENZ
1 418 305 528	M	5.50	MERCEDES BENZ
1 418 321 059	A	9.00	FIAT
1 418 321 067	A	8.50	FORD
1 418 321 073	A	8.50	IVECO, KHD, MAGIRUS-DEUTZ
1 418 325 002	A	6.00	MWM-DIESEL, MAN, FIAT
1 418 325 004	A	6.50	FIAT, MAN, MWM-DIESEL, VALMET
1 418 325 005	A	7.00	BOMAG, FIAT, KHD, MERCEDES-BENZ, MWM-DIESEL
1 418 325 016		5.00	FIAT, INDUSTRIAL (TERMOKING - NWD 30)
1 418 325 021	A	7.50	SONACOME, KHD,
1 418 325 022	A	8.00	FIAT
1 418 325 024	A	9.00	ALFA ROMEO, FIAT, HENSCHEL, IVECO, LANCIA, MAGIRUS-DEUTZ, MAN, MERCEDES-BENZ, MWM-DIESEL, RENAULT, SAVIEM, UNIC
1 418 325 039	A	9.50	MAT, MAN,
1 418 325 095	A	9.00	HART, FORD,TRACTOR U 650
1 418 325 096	A	9.00	CLAAS, COMMER, HANOMAF, MERCEDES, FAUN,
1 418 325 102	A	8.50	BOMAG, KHD, RENAULT, SAVIEM
1 418 325 103	A	9.50	FAUN, FIAT, KHD, MAGIRUS-DEUTZ, MAN, RENAULT,
1 418 325 138	A	8.00	BOMAG, KHD
1 418 325 145	A	9.00	MERCEDES BENZ
1 418 325 156	A	9.50	KHD, MAGIRUS-DEUTS, S.N.V.I., SONACOME (S.N.V.I.)
1 418 325 159	A	8.00	KHD
1 418 325 160	A	7.50	KHD
1 418 325 163	A	8.50	BOMAG, KHD
1 418 325 188	A	9.50	KHD
1 418 325 895	A	9.00	MERCEDES BENZ
1 418 325 898	A	8.00	MERCEDES BENZ
1 418 405 002	K	6.00	AGRALE-DEUTZ, HATZ, KHD
1 418 421 024	A	8.50	KHD
1 418 425 004	A	6.50	FIAT, KHD, MAN, MWM-DIESEL
1 418 425 006	A	7.50	FIAT, RENAULT, MEGIRUS-DEUTZ,MAN, MERCEDES
1 418 425 007	A	8.00	MERCEDES, FIAT, MAN, RENAULT, MWM-DIESEL
1 418 425 016	A	6.50	SANEDIESEL 161,332
1 418 425 020	A	8.50	MACK
1 418 425 030	A	9.00	RENAULT, MAN
1 418 425 051	A	9.50	ROMPRIM, MAN
1 418 425 112	A	9.50	KHD, VALMET
1 418 450 005	P3000	12.00	FIAT, IVECO, KHD, LANCIA, MAGIRUS, MWM-DIESEL, UNIC
1 418 460 180	ZWM	14.00	FIAT, MTU
2 418 305 010	Q	6.00	ARONA, BERTOLINI, GOLDONI, HOLDER, LOMBARDINI
2 418 450 000	P3000	10.00	GMEINDER, KAEUBLE, KHD, MERCEDES
2 418 450 011	P3000	10.00	VOLVO
2 418 450 032	P3000	11.00	MACK
2 418 450 034	P3000	11.00	VOLVO D 100B, THD 100D
2 418 450 057	P3000	9.00	DAF 135 / 153
2 418 450 060	P3000	10.00	DAF

PLUNGERS & BARRELS

BOSCH P/N	TYPE	SIZE (mm)	APPLICATION
2 418 450 069	P3000	10.00	MERCEDES BENZ (OM 402, 403, 407)
2 418 450 070	P3000	12.00	DAF
2 418 450 114	P3000	12.00	RENAULT
2 418 451 002	P3000	11.00	VOLVO TD 120A
2 418 455 012	P3000	12.00	MAN
2 418 455 022	P3000	11.00	MERCEDES BENZ (OM 421, 422, 423)
2 418 455 029	P3000	12.00	RENAULT
2 418 455 034	P3000	12.00	MERCEDES BENZ (OM 422)
2 418 455 037	P3000	12.00	RENAULT, S.N.V.I.
2 418 455 040	P3000	12.00	VOLVO
2 418 455 054	P3000	11.00	MERCEDES
2 418 455 055	P3000	11.00	VOLVO
2 418 455 063	P3000	10.00	MERCEDES
2 418 455 070	P3000	11.00	MAN
2 418 455 071	P3000	11.00	MERCEDES
2 418 455 072	P3000	12.00	RENAULT
2 418 455 122	P7100	12.00	MERCEDES-BENZ
2 418 455 134	P7000	12.00	MERCEDES MB14.6 L,362 KW
2 418 455 149	P7000	12.00	MERCEDES 21.9 L
2 418 455 165	P7000	12.00	SCANIA
2 418 455 182	P7000	13.00	IVECO 14L/260-277KW
2 418 455 196	P7000	12.00	STEYR,DAIMLER, PUCH AG, MAN, STEYER
2 418 455 202	P3000	12.00	IVECO, MAGIRUS-DEUTZ
2 418 455 216	P3000	12.00	JOHN DEERE
2 418 455 246	P3000	11.00	VOLVO
2 418 455 304	P7000	12.00	DAF 95.360 ATI,11.6L/268KW
2 418 455 309	P7000	12.00	MERCEDES MB 9.6 L 230 KW
2 418 455 318	P7000	12.00	DAF 11.6L/315KW
2 418 455 333	P7100	13.00	IVECO 13.8L/265-353KW
2 418 455 351	P7100	12.00	JOHN DEERE, CDC
2 418 455 369	P7000	12.00	CDC -CONSOLIDATED DIESEL,CUMMINS, KAMAZ
2 418 455 390	P8000	12.10	RENAULT, MIDR, MAZ103
2 418 455 408	P3000	12.20	NAVISTAR, JOHN DEERE
2 418 455 508	P7000	12.00	RENAULT 11.1L/250-288KW
2 418 455 512	P7100	12.30	JOHN DEERE, RENAULT
2 418 455 518	P7000	12.00	SCANIA
2 418 455 548	P7000	12.00	SCANIA 11L
2 418 455 549	P7100	12.40	JOHN DEERE
3 418 301 001	Q	5.00	HATZ
3 418 301 003	K	8.00	SAME
3 418 303 000	K	6.50	BOMAG, HATZ
3 418 303 002	K	7.00	AGRIA, BOMAG, HATZ, STEYER, TN, BMW, COUAH, CLAAS
3 418 303 005	K	8.00	HATZ,
3 418 325 018	A	9.00	HATZ, MTU
3 418 360 003	ZWM	14.00	MTU
3 418 405 005	K	7.00	ARONA, BERTOLINI, FERRARI, GOLDONI, LOMBARDINI, BCS 21 / 41 / 56 / 26 / 40 / 49
3 418 424 002	A	9.00	SAME
9 412 038 428	A	8.00	KHD
F000 401 157	P3000	11.00	MERCEDES-BENZ

DELIVERY VALVES

BOSCH P/N	SIZE (mm)	APPLICATION
1 468 532 203	5	FORD, IH, VOLVO
1 418 502 001	5	DEUTZ, AGRIA-DEUTZ, BOMAG, HATZ, KHD, MWM-DIESEL, RENAULT, VOLVO
1 418 502 013	6	AGRALE-DEUTZ, BOMAG, HATZ, MWM-DIESEL, SAME, VOLVO
1 418 502 015	5	ACME, HATZ, MERCEDES-BENZ, FORD, BOMAG, IH, VOLVO, RENAULT, MWM-DIESEL
1 418 502 045	5	AGRIA, BOMAG, COUACH
1 418 502 203	5	KHD, MERCEDES-BENZ
1 418 522 005	5	FIAT, KHD, MAN, MWM-DIESEL, RENAULT
1 418 522 009	6	BERLIET, FIAT, HATZ, KHD, LANCIA, MAGIRUS-DEUTZ, MWM-DIESEL, RENAULT, SAME, SAVIEM, VALMET, VOLVO
1 418 522 017	6	BOMAG, DAF, FIAT, KHD, LANCIA, MAGIRUS-DEUTZ, MAN, MERCEDES-BENZ, MWM-DIESEL, RENAULT, SAVIEM, STEYR
1 418 522 019	6	BERLIET, BOMAG, FENDT, FIAT, FIAT-ALLIS, FORD, HENSCHEL, KHD, LANCIA, MAN, MERCEDES-BENZ, MWM-DIESEL, RENAULT, SAME, STEYR
1 418 522 047	6	BERLIET, BOMAG, DAF, FAUN, FENDT, FIAT, FIAT-ALLIS, IH, IVECO, LANCIA, MAN, MERCEDES-BENZ, MWM-DIESEL, RENAULT, S.N.V.I., SAME, SONACOME, UNIC, VALMET
1 418 522 055	6	CLAAS, DAF, FENDT, FIAT, FIAT-ALLIS, FORD, KHD, LANCIA, MAGIRUS-DEUTZ, MAN, MERCEDES-BENZ, MWM-DIESEL, RENAULT, SAVIEM, VALMET, VW, YANMAR
1 418 522 061	6	MWM-DIESEL
1 418 522 201	6	KHD, MERCEDES-BENZ
1 418 522 202	6	MERCEDES-BENZ
1 418 522 702	6	VALMET
1 418 592 019	9	KHD, HENSCHEL, MTU, MWM-DIESEL
1 468 522 001	5	ALFA ROMEO, FIAT, FORD, IH, KHD, MAN, OPEL, RENAULT, SAVIEM, UNIC, VOLVO, VW
1 468 522 278	5	IVECO, MAGIRUS-DEUTZ, MAN, OPEL, RENAULT, VOLVO, VW
1 468 532 224	5	BMW, FIAT, FORD, IH, IVECO, OPEL, RENAULT, VOLVO
1 468 532 246	5	FIAT, VOLVO
2 418 552 003	7	CATERPILLAR, DAF, FIAT, HENSCHEL, KHD, LANCIA, MAN, MERCEDES-BENZ, MWM-DIESEL, STEYR
2 418 552 005	7	MAN, MERCEDES-BENZ, STEYR
2 418 552 007	8	BERLIET, DAF, DRESSER, FIAT, IVECO, RENAULT
2 418 552 019	8	BERLIET, RENAULT, S.N.V.I.
2 418 552 027	6	KHD, MACK, MAN, MERCEDES-BENZ, SCANIA, VOLVO
2 418 552 035	7	KHD, MERCEDES-BENZ, MWM-DIESEL, RENAULT
2 418 552 065	8	MAN, RENAULT
2 418 552 069	8	MERCEDES-BENZ, VOLVO
2 418 552 073	7	MAN
2 418 552 105	8	MAN
2 418 552 173	8	JOHN DEERE
2 418 554 047	8	IVECO, MAGIRUS-DEUTZ, RENAULT, SCANIA, VOLVO
2 418 554 057	8	DAF, IVECO, KHD, SCANIA, VOLVO
2 418 559 054	8	MAN



FEED PUMPS

BOSCH P/N	SYMBOL	APPLICATION
0 440 002 015	FP / KD 22 ZW 47	KHD, MWM-DIESEL
0 440 003 176	FP / KE 22 AD 112/2	CLAAS, DAF, FIAT, HANOMAG, HENSCHEL, KHD, KASSBOHRER, LANCIA, MAN, RENAULT, MERCEDES-BENZ, SAVIEM, STEYR, UNIC
0 440 003 190	FP / KE 22 AD 223/2	"BERLIET, DAF, FAUN, FIAT, KHD, LANCIA, MAN, MTU, RENAULT, MERCEDES-BENZ, SAVIEM, UNIC, VOLVO"
0 440 004 026	RO-FP / KS 22 AD 14	IVECO, MAN, STEYR
0 440 004 043	FP / KS 22 AD 6/2	FIAT, LANCIA, KHD, MAN, MERCEDES-BENZ, RENAULT, SAVIEM, UNIC, VALMET, ROMAN, UTB
0 440 004 084	FP / KSG 22 AD 103	MERCEDES-BENZ
0 440 008 015	RO-FP / K 22 P17	MERCEDES-BENZ, KASSBOHRER, LIEBHERR
0 440 008 016	RO-FP / K 22 P 19	"DAF, FIAT, HENSCHEL, IVECO, LANCIA, MAGIRUS-DEUTZ, MAN, MASSEY FERGUSON, HANOMAG, MERCEDES-BENZ, RENAULT, SAURER, SONACOME, STEYR, UNIC "
0 440 008 073	FP / KG 24 F302	IVECO, MAN, KHD, MWM-DIESEL
0 440 008 074	FP / KG24P303	MAN, MERCEDES-BENZ
0 440 008 101	FP / KG 24 P 215	MERCEDES-BENZ



NOZZLES

BOSCH / DELPHI	CHARACTERISTIC	ASSEMBLY	APPLICATION
0 433 271 045	DLLA150S186	DHK Injector	CASE, MERCEDES -BENZ
0 433 271 046	DLLA150S187	DHK Injector	MERCEDES -BENZ
0 433 271 036	DLLA150S720		TRACTOR U650
5621599	BDLLA150S6556, 4 holes diam. 2.25 mm		PERKINS 4 248
6801027	4 holes diam. 0.27 mm	6701407 Injector	MOTOR PERKINS 4 236 for JCB, MASSEY FERGUSON , PERKINS
6801058	4 holes diam. 0.29 mm	6701407 Injector	MOTOR PERKINS 4.40-6.60GR for BOSS, F.A.I., HYSTER, MANITOU, MASSEY FERGUSON, PERKINS
6801106	4 gauri diam. 0.28 mm	6701422 Injector	MOTOR PERKINS for KOMATSU, MASSEY FERGUSON, MAXION, JCB, TIANJIN, DAEWOO.



Diesel Fuel Injection Equipment

AUTO PARTS



The fuel injection system on a diesel is home to the most complex components in your diesel engine. Improper parts, maintenance, and care of your fuel injection system can cause complete failure! B&J Auto Parts offers more than parts, we offer our deep knowledge base and expertise to help get your diesel back up and running at optimum efficiency.

B&J Auto Parts

Diesel Fuel Injection Equipment

P.O. Box 88-4

Bucharest, Romania

Phone: +40(21) 386-0205

Fax: +40(21) 386-0206

Mobile: +40(730) 318925

E-Mail: office@bjdiesel.com

P.O. Box 75529

Dubai, U.A.E

Phone: +97(14) 224-3366

Fax: +97(14) 224-7742

Mobile: +97(150) 210-9005

www.bjdiesel.com